

MAE MANUFACTURERS cc

MANUFACTURERS OF THE MAE FLAMEPROOF ALTERNATOR AND ELECTRICAL FLAMEPROOF EQUIPMENT

REG NO: CK 95/47371/23 VAT NO: 447 011 0034

Tel: +27 (11) 421 5551

Fax: +27 (11) 421 5618

E-mail: orders@maesa.co.za / admin@maesa.co.za

MAE Non-Flameproof Headlight

Part No: MAELMG001224



Product Features

- ❖ 12 or 24 Volts.
- ❖ Non-Flameproof.
- ❖ Cushion Mount Lamp.
- ❖ Seal Beam Halogen.
- ❖ Low Input.
- ❖ Lux Intensity - 10 Lux at 2Mt.
- ❖ Direct MCI 50 Lamp Replacements.
- ❖ Available in LED.



Members: M. Lo Giudice; G. Lo Giudice;

MAE MANUFACTURERS cc

MANUFACTURERS OF THE MAE FLAMEPROOF ALTERNATOR AND ELECTRICAL FLAMEPROOF EQUIPMENT

REG NO: CK 95/47371/23 VAT NO: 447 011 0034

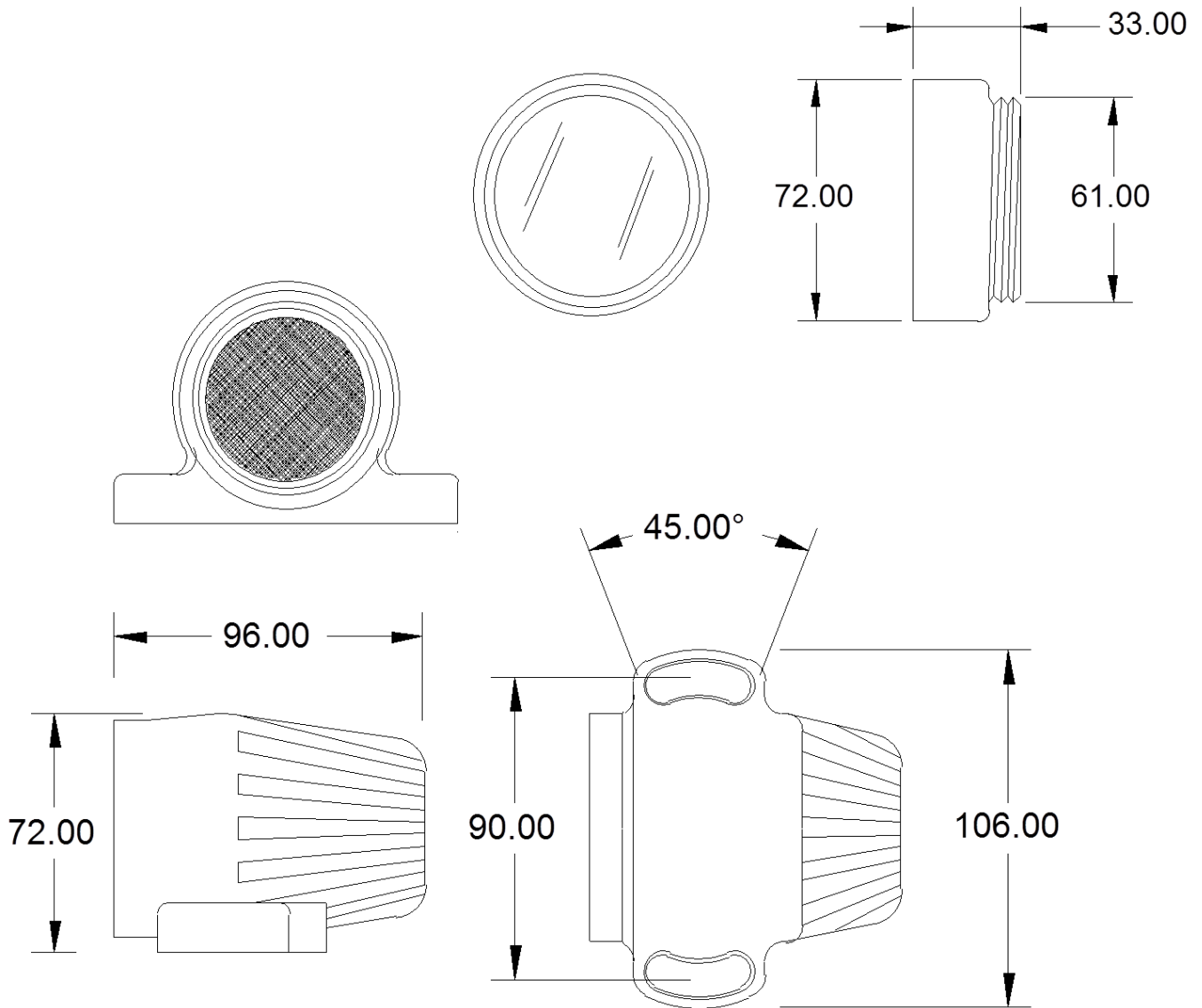
Tel: +27 (11) 421 5551

Fax: +27 (11) 421 5618

E-mail: orders@maesa.co.za / admin@maesa.co.za

Technical Specifications

Voltage	12V or 24V
Input Max	4.16 Amps
Weight	1kg
Overall Length	96mm
Overall Diameter	106mm



MAE MANUFACTURERS cc

MANUFACTURERS OF THE MAE FLAMEPROOF ALTERNATOR AND ELECTRICAL FLAMEPROOF EQUIPMENT














REG NO: CK 95/47371/23 VAT NO: 447 011 0034

Tel: +27 (11) 421 5551

Fax: +27 (11) 421 5618

E-mail: orders@maesa.co.za / admin@maesa.co.za

Application

 SCOOP		 QUARRY VEHICLES		 LONG WALL SHIELD	
 CONTINUOUS MINER		 SHUTTLE CAR		 HAULAGE	
 DUMP TRUCK		 DRILLS		OTHER APPLICATIONS	

Disclaimer

The information in this specification is derived from the latest model available at the time of issue 1.0. While every precaution has been taken to ensure the accuracy of the content, no responsibility can be accepted for any errors or omissions nor any misinterpretation or misapplication. MAE has adopted a continuous product improvement policy and therefore, specifications are subject to change without prior notice © September 2009 MAE all rights reserved.



Members: M. Lo Giudice; G. Lo Giudice;

NON-FLAMEPROOF HEAD LAMP

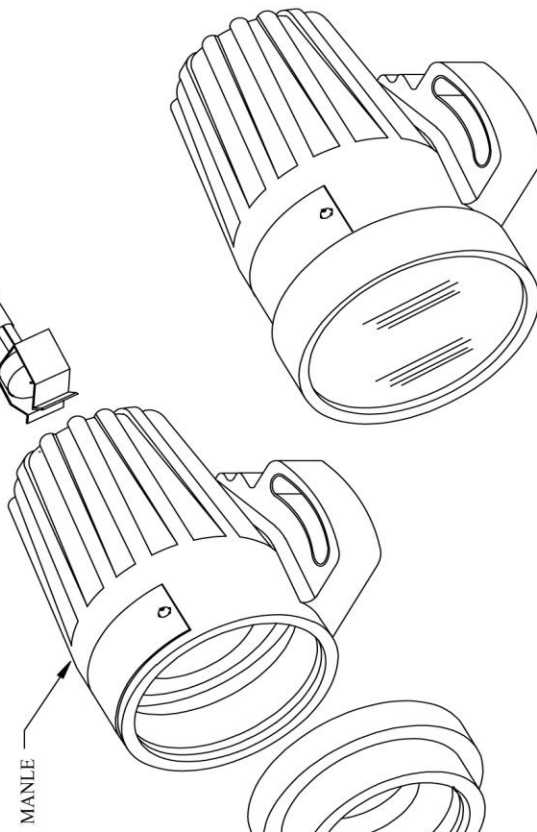
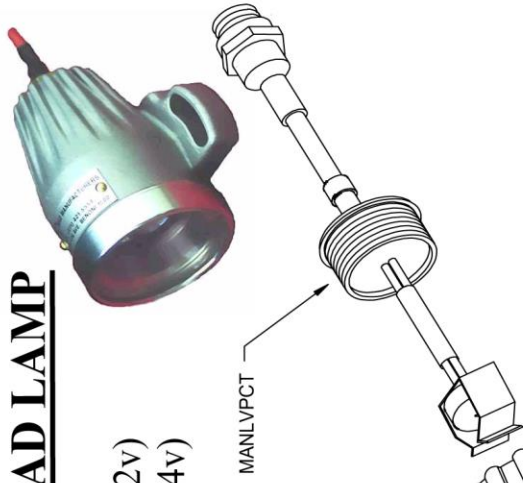
MODEL MAE55-G

PART NO. MAELMG001224/12 (12V)

MAELMG001224/24 (24V)

ELECTRICAL

Bulb Voltage : 12 or 24 volts AC or DC
 Bulb Amperage : 12V 50 WATT 4.16
 24V 50 WATT 2.08



SPECIAL NOTES:

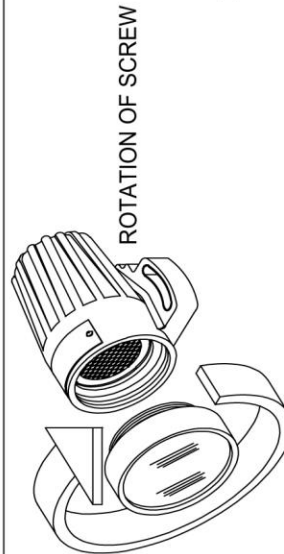
CONNECT WIRES POLARITY CORRECT

PROTECTION FUSE TO LAMP MUST NOT EXCEED 10 AMPS.

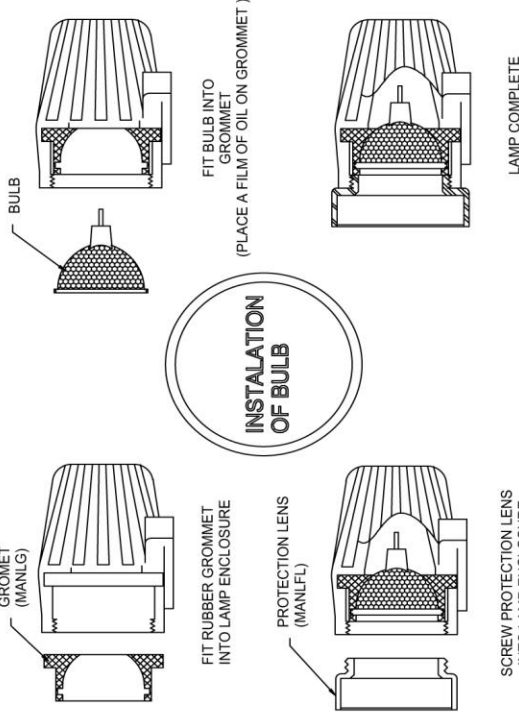
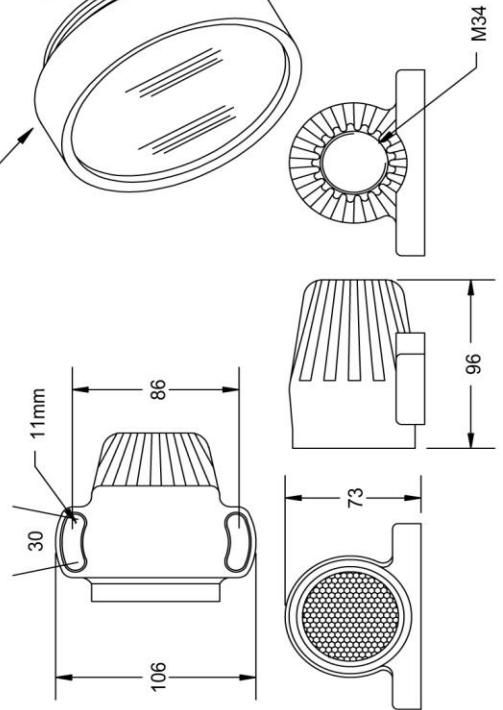
BULB TABLE

12V	CLEAR	50W	MAEG12
12V	YELLOW	50W	MAEG12Y
12V	GREEN	50W	MAEG12G
12V	RED	50W	MAEG12R
12V	DIAMOND	50W	MAEG12D
24V	CLEAR	50W	MAEG24
24V	SPECIAL	50W	MAEG24S

SEE BULB TABLE



ROTATION OF SCREW



INSTALLATION OF BULB



MAE MANUFACTURERS

P.O. BOX 402 BENONI 1500 SOUTH AFRICA

Servicing Mining Around the World